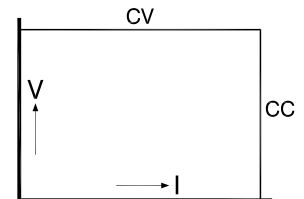




S 6-40 **0 - 6 V** **0 - 40 A**
S 15-18 **0 - 15 V** **0 - 18 A**
S 28-10 **0 - 28 V** **0 - 10 A**



S - SERIES EURO - CASSETTE SWITCHED MODE DC POWER SUPPLIES

- Voltage and current adjustable by screwdriver at front panel (for fixed voltage and current)
- Accurate analog programming of voltage and current by 0 - 5 V
- **IEEE488** or **RS232** programming with optional external interface PSC-488 module or PSC-232 module
- 100 kHz MOSFET power conversion technique
- Efficiency up to 88 %
- Low inrush current (soft start)
- Redundant operation with RA10 adapter
- Natural convection cooling, no blower, no noise
- Master / Slave parallel operation with equal current sharing
- Parallel and series operation up to 500 V
- Built-in Over Voltage Protection
- Designed for long life at full power
- Fully burned in during 48 hours at 50 °C ambient
- Can also be used as a DC - DC converter

| Output | | S 6 - 40 | S 15 - 18 | S 28 - 10 |
|---|------------------------|---|---|---|
| voltage / current | | 0 - 6 V / 0 - 40 A | 0 - 15 V / 0 - 18 A | 0 - 28 V / 0 - 10 A |
| Input | | | | |
| AC input, full load | | 100 - 132 V 48 - 62 Hz | 100 - 132 V 48 - 62 Hz | 100 - 132 V 48 - 62 Hz |
| DC input | | 195 - 265 V 48 - 62 Hz contact factory | 195 - 265 V 48 - 62 Hz contact factory | 195 - 265 V 48 - 62 Hz contact factory |
| current (220 V AC / 110 V AC) fuse 220 V / 110 V | | 2.2 / 4.0 Arms 4 AT / 6.3 AT | 2.3 / 4.2 Arms 4 AT / 6.3 AT | 2.3 / 4.2 Arms 4 AT / 6.3 AT |
| Efficiency | | | | |
| AC input, 220 V, full load | | 80 % | 86 % | 88 % |
| Regulation | | | | |
| Load 0 - 100% CV | | 5 mV | 5 mV | 5 mV |
| Line 198 - 265 V AC CV | | 5 mV | 5 mV | 5 mV |
| Load 0 - 100% CC | | 30 mA | 10 mA | 10 mA |
| Line 198 - 265 V AC CC | | 30 mA | 10 mA | 10 mA |
| Ripple + noise , rms / p-p | CV CC | 5 / 25 mV 15 / 50 mA | 5 / 25 mV 5 / 15 mA | 5 / 25 mV 5 / 15 mA |
| Programming speed 0 → V _{max} | | 10 ms | 12 ms | 15 ms |
| Output impedance 0-100 kHz | CV | 0.1 Ohm | 0.1 Ohm | 0.1 Ohm |
| Temp. coeff. , per °C | CV CC | | 5.10 ⁻⁵ 1.10 ⁻⁴ | |
| Stability during 8 hrs after 1 hr warmup | CV CC | | 5.10 ⁻⁴ 1.10 ⁻³ | |

| Analog Programming | CV | CC |
|---|---|---|
| Programming inputs input range accuracy input impedance | 0 - 5 V $\pm 0.2\%$ - 5 mV / + 12 mV 5 kOhm | 0 - 5 V $\pm 0.5\%$ - 4 mV / + 20 mV 5 kOhm |
| Monitoring output output range accuracy output impedance | not available | 0 - 5 V $\pm 0.5\%$ - 6 mV / + 0 mV 20 Ohm |

Recovery time

50 - 100% load step : 100 μ s S6-40, S28-10
200 μ s S15-18

Insulation

Input/Output : 3750 Vrms (1 min.)
8 mm creepage/clearance
Input/case : 2500 Vrms (1 min.)
Output/case : 500 V DC

Safety

: EN 60950 EN 61010

EMC

Power Supply Standard : EN 61204-3
Generic Emission : EN 61000-6-3 (EN 55022B)
Generic Immunity : EN 61000-6-2

Operating ambient temp. : -20 to +50 °C

Thermal protection : Output shuts down in case of insufficient cooling

Series operation : Max. 500 V total voltage

Remote sensing : Max. 2 V per lead

OVP adjust range : 5 - 35 V

Mounting : Vertical airflow through the unit should not be obstructed

Cooling : Natural convection cooling, no blower, no noise.

MTBF : 500 000 hrs

Standby input power : 4 W

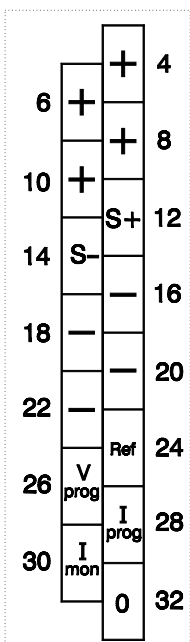
Hold-up time
100 % load, 220 V AC : 20 ms
50 % load, 220 V AC : 40 ms

Dimensions (h x w x d) : 106 x 194.5 x 166 mm

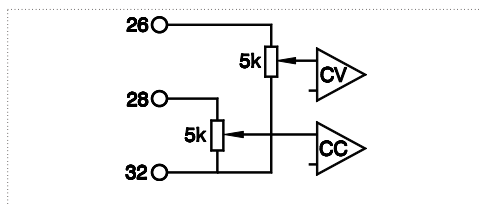
Case : DIN 41494 / IP20

Connectors : H15 (DIN 41612)

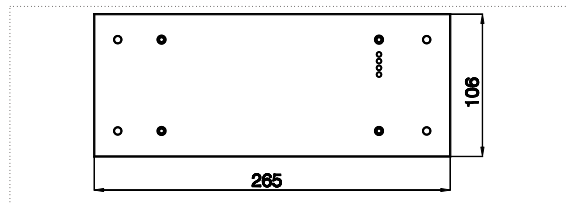
Weight : 2.8 kg



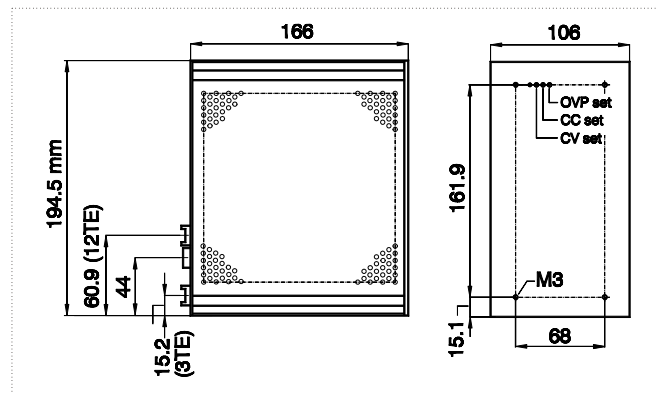
Output connector



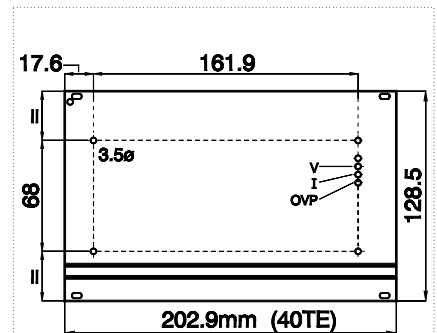
Internal circuit of programming inputs



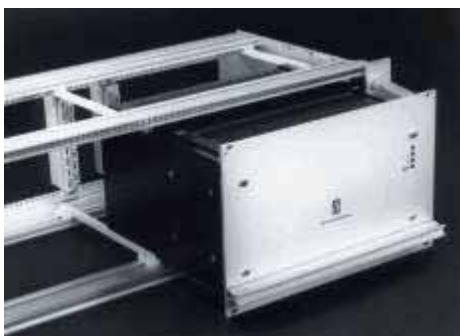
FPW front panel for wall mounting



Dimensions



FP40, front panel for Eurocard-rack



Eurorack mounting
with front panel FP40



Wall mounting with
front panel FPW



Redundant adapter
RA 10 for S28 - 10